

Parts catalog

- “Legend” on page 326
- “Assembly 1: Covers” on page 327
- “Assembly 2: Scanner” on page 329
- “Assembly 3: Paperpath” on page 331
- “Assembly 4: Operator panels” on page 335
- “Assembly 5: Electronics” on page 339
- “Assembly 6: Cables and sensors” on page 343
- “Assembly 7: Media drawers and trays” on page 345
- “Assembly 8: Options and miscellaneous” on page 347
- “Screw and retainer identification table” on page 348

Legend

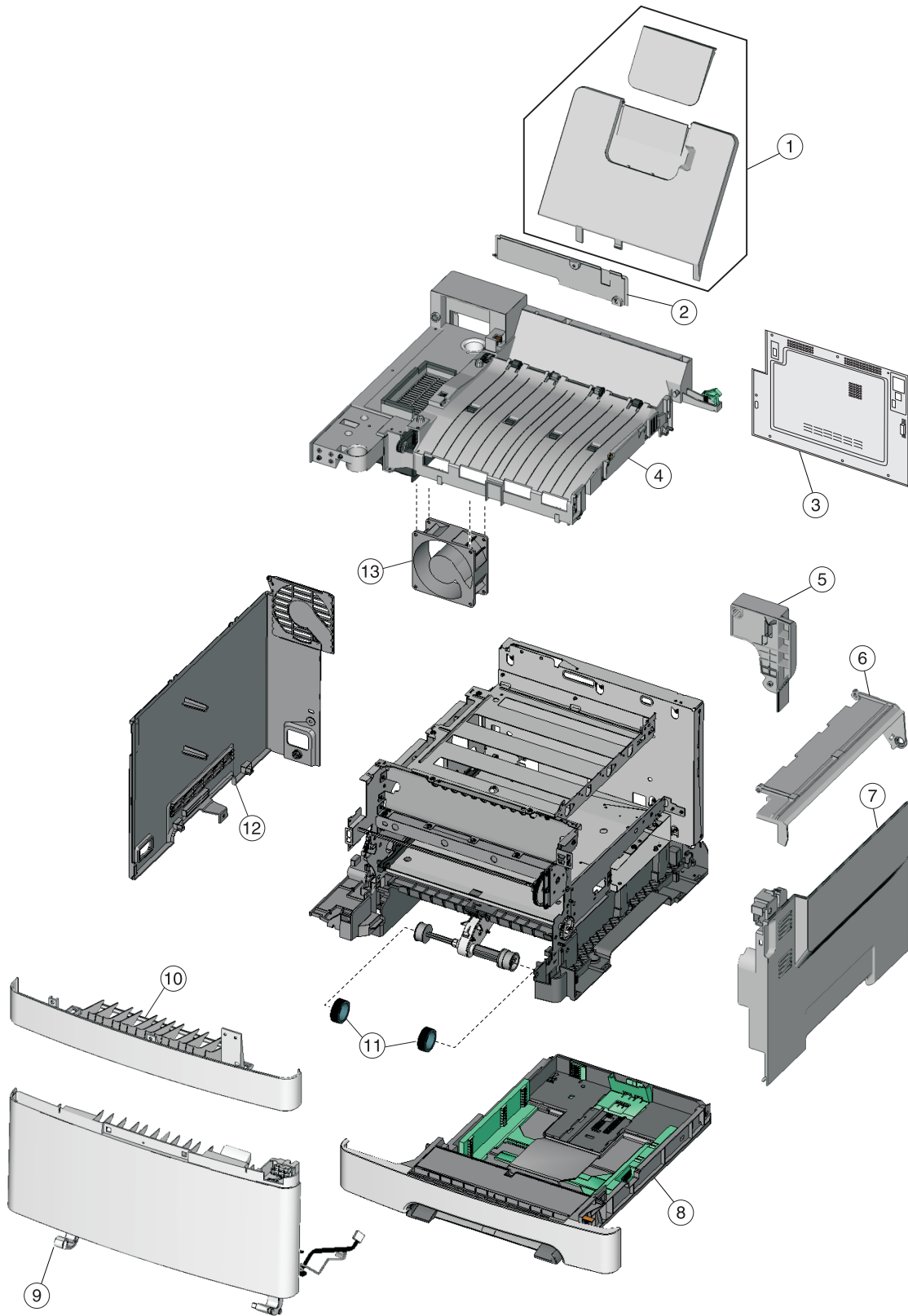
The following column headings are used in the parts catalog:

- **Asm-index**—Identifies the assembly and the item in the diagram. For example, 3-1 indicates Assembly 3 and item 1 in the table.
- **Part number**—Identifies the unique number that correlates with the part.
- **Units/mach**—Refers to the number of units actually used in the base machine or product.
- **Units/option**—Refers to the number of units in a particular option.
- **Units/FRU**—Refers to the number of units in a particular FRU.
- **Description**—A brief description of the part.

The following abbreviations are used in the parts catalog:

- **NS** (not shown) in the Asm-index column indicates that the part is procurable but is not pictured in the illustration.
- **PP** (parts packet) in the Description column indicates that the part is contained in a parts packet.

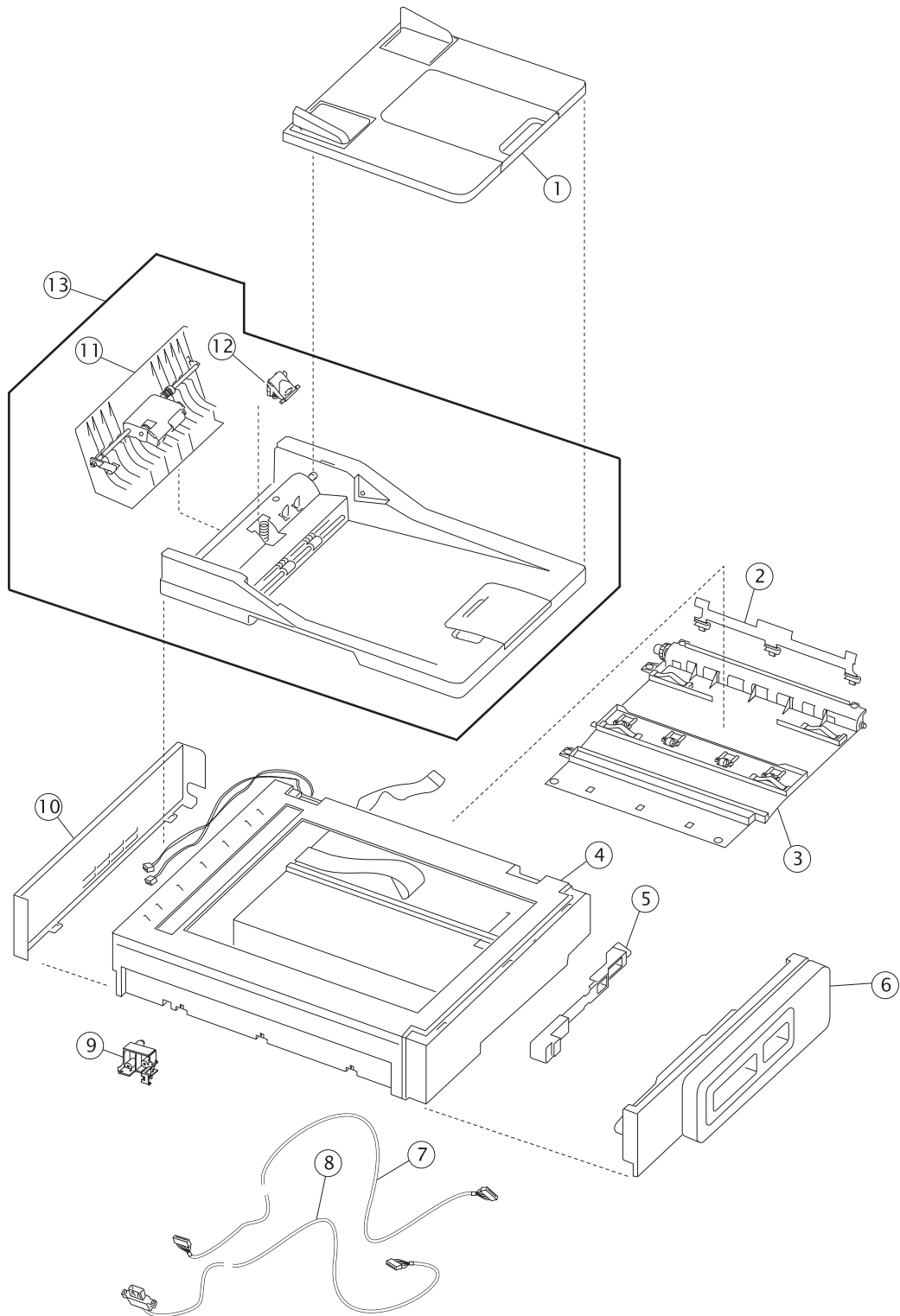
Assembly 1: Covers



Assembly 1: Covers

Asm-index	P/N	Units/mach	Units/FRU	Description	Removal procedure
1	40X7811	1	1	Output bin tray	"Output bin tray and exit bail removal" on page 216
2	40X7810	1	1	Back AIO cable cover	
3	40X7845	1	1	Rear cover, CX310	"Rear cover removal" on page 221
3	40X7846	1	1	Rear cover, CX410	"Rear cover removal" on page 221
3	40X7814	1	1	Rear cover, CX510	"Rear cover removal" on page 221
4	40X7809	1	1	Top cover assembly (includes fan)	"Top cover assembly removal" on page 225
5	40X7824	1	1	AIO link	"AIO link removal" on page 236
6	40X7802	1	1	Toner AIO cover	"AIO toner cover removal" on page 235
7	40X7823	1	1	Right AIO cover	"Right cover assembly removal" on page 223
8	40X7645	1	1	250-sheet tray assembly	"Paper pick motor drive assembly (standard tray) removal" on page 290
9	40X7801	1	1	Front cover	"Front cover assembly removal" on page 217
10	40X5490	1	1	Front middle cover	"Front middle cover removal" on page 219
11	40X5168	2	2	Pick tires	"Pick tires removal" on page 309
12	40X7632	1	1	Left cover	"Left cover assembly removal" on page 219
13	40X7634	1	1	System fan	"System fan removal" on page 294
NS	40X8089	1	1	650-sheet drawer	"650-sheet duo drawer assembly removal" on page 307
NS	40X8091	1	1	650-sheet tray assembly	"650-sheet duo drawer tray assembly removal" on page 307
NS	40X7812	1	1	Media bail	"Output bin tray and exit bail removal" on page 216

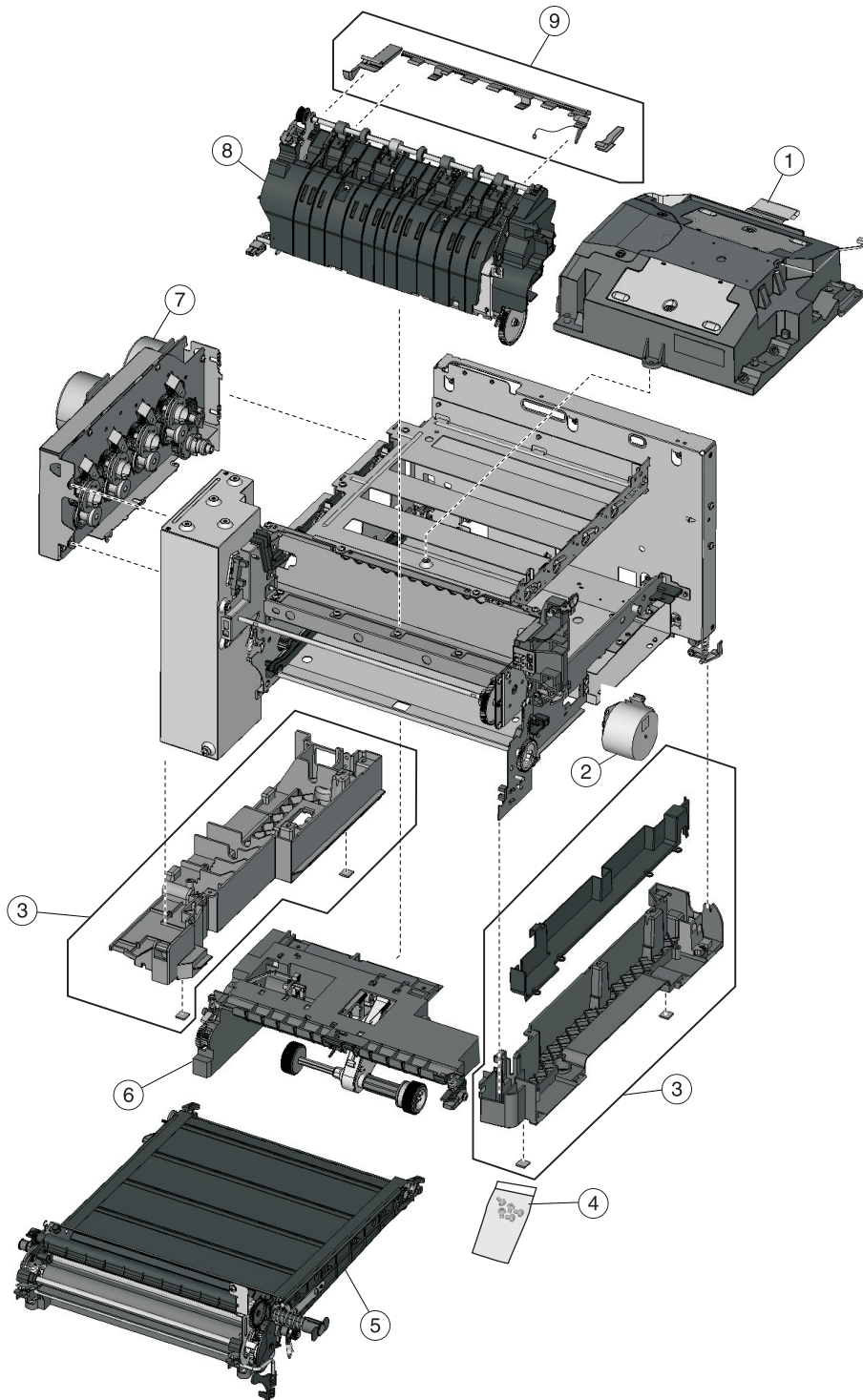
Assembly 2: Scanner



Assembly 2: Scanner

Asm-index	P/N	Units/mach	Units/FRU	Description	Removal procedure
1	40X9054	1	1	ADF input tray	"ADF input tray removal" on page 233
2	40X5872	1	1	Bin full flag	"Bin-full flag removal" on page 238
3	40X7833	1	1	Redrive assembly	"Redrive unit removal" on page 293
4	40X7829	1	1	Flatbed scanner assembly	"Flatbed scanner assembly removal" on page 252
5	40X7827	1	1	AIO release lever with spring	"AIO release lever removal" on page 237
6	40X7819	1	1	Right scanner cover	"Right scanner cover removal" on page 223
7	N/A	1	1	Operator panel cable	See "Operator panels" on page 335 .
8	40X5480	1	1	USB thumbdrive cable (CX510)	"USB port connector removal" on page 303
8	40X7836	1	1	USB thumbdrive cable (CX410)	"USB port connector removal" on page 303
9	40X7822	1	1	Flatbed pivot link (front left)	"Flatbed pivot link removal" on page 251
9	40X7834	1	1	Flatbed pivot link (rear right)	"Flatbed pivot link removal" on page 251
10	40X7820	1	1	Left scanner cover	"Left cover assembly removal" on page 219
11	40X7842	1	1	Simplex top cover assembly	"Top cover assembly removal" on page 225
11	40X7843	1	1	Duplex ADF top cover assembly	top-cover-adf-sheet-feed-removal-topic
12	40X6247	1	1	Simplex separator pad assembly	"ADF separator pad removal" on page 234
12	40X9108	1	1	Duplex separator roller assembly	"ADF separator pad removal" on page 234
13	40X7830	1	1	Duplex ADF assembly	"ADF assembly removal" on page 231
13	40X7831	1	1	Simplex ADF assembly	"ADF assembly removal" on page 231
NS	40X9110	1	1	Restraint pad	N/A
NS	40X6243	1	1	Flatbed cushion	N/A
NS	40X2252	1	4	Redrive spacer screws	N/A

Assembly 3: Paperpath

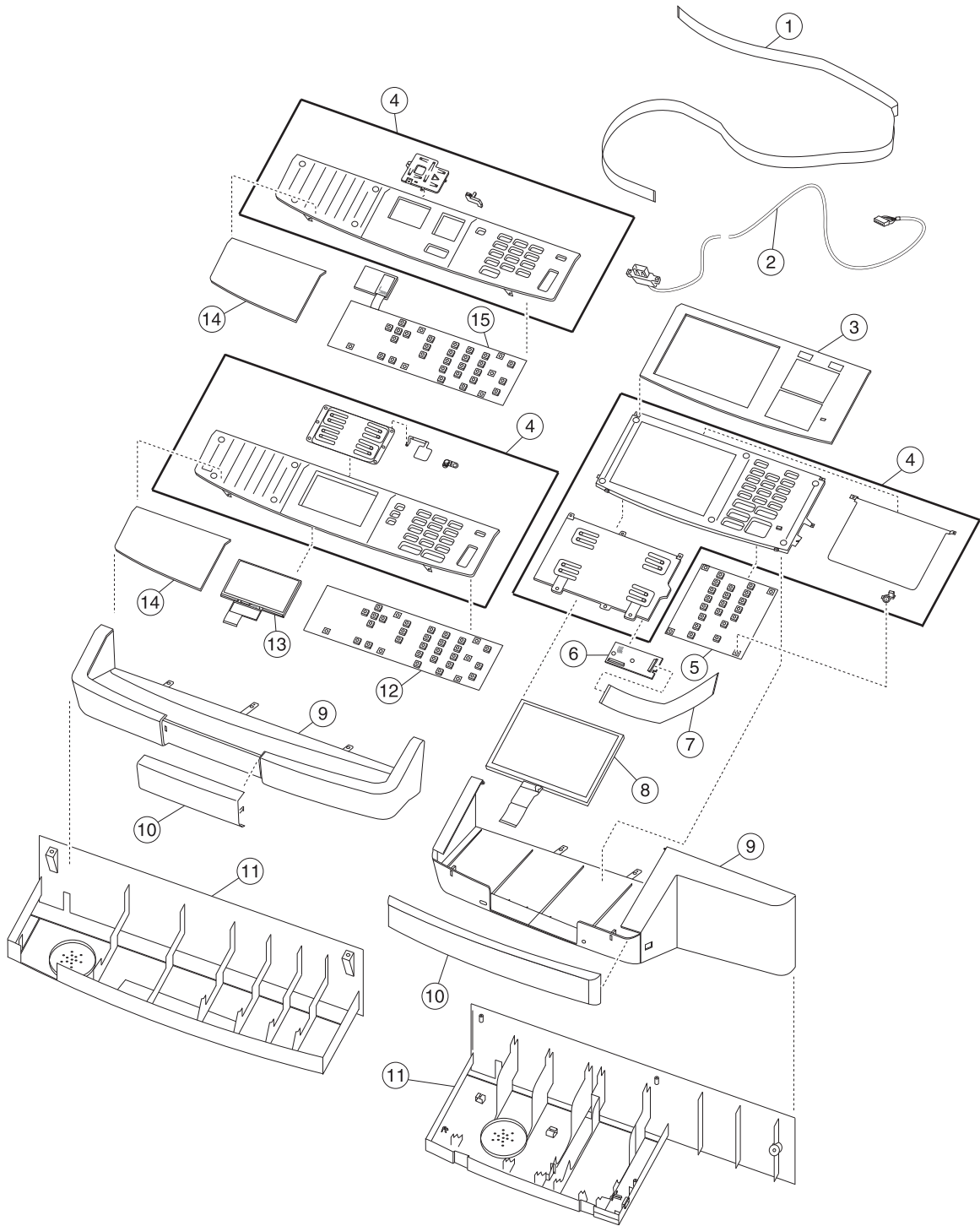


Assembly 3: Paperpath

Asm-index	P/N	Units/mach	Units/FRU	Description	Removal procedure
1	40X7627	1	1	Printhead	“Printhead removal” on page 292
2	40X7629	1	1	Fuser drive motor assembly	“Fuser drive motor assembly removal” on page 259
3	40X7646	1	1	Lower left frame and lower right frame with cable cover	“Lower left frame removal” on page 270, “Lower right frame removal” on page 276
4	40X7648	1	2X	Miscellaneous screws <ul style="list-style-type: none"> • Taptite M3 L6 panhead screw (10) • M3x6 panhead screw (3) • Shoulder screw (1) • M3.5 internal lock washer (3) • M3x8 screw (3) • 3.5x6mm flat top screw (5) • 3.5x8 flat top screw (5) • Taptite M3 L4.5 panhead screw (3) • M3x8LG W-HD machine screw (3) • Metal ROLN M3.5 8L screw (2) • Plastic ROLN 2.9 8L screw (6) • Plastic ROLN 3.5 6L screw (10) • Plastic ROLN 3.5 8L screw (4) • Plastic ROLN 3.5 10L screw (2) • M3.5x8 SEMS machine screw (3) 	N/A
4	40X7832	1	1	Screw packet <ul style="list-style-type: none"> • M3.5 Internal Lock Washer • M3 x 6 Shoulder Screw • Sems PI ROLN 2.9 x 8.2 	N/A

Asm-index	P/N	Units/mach	Units/FRU	Description	Removal procedure
4	40X7652	1	1	Miscellaneous springs <ul style="list-style-type: none"> • Front cover latch (2x) • ITU holddown (2x) • Fuser holddown (2x) • Primary tray bias (2x) 	N/A
5	40X7610	1	1	Transfer module	“Transfer module removal” on page 300
6	40X7614	1	1	Paper pick motor drive assembly	“Paper pick motor drive assembly (standard tray) removal” on page 290
7	40X7628	1	1	Main gear drive assembly with motors	“EP drive assembly removal” on page 245
8	40X7622	1	1	Fuser assembly, 110 V	“Fuser assembly removal” on page 257
8	40X7623	1	1	Fuser assembly, 220 V	“Fuser assembly removal” on page 257
8	40X7624	1	1	Fuser assembly, 100 V	“Fuser assembly removal” on page 257
9	40X0411	1	1	Narrow media flag	“Narrow media sensor flag removal” on page 281
NS	40X7617	1	1	100 V maintenance kit	N/A
NS	40X7615	1	1	115 V maintenance kit	N/A
NS	40X7616	1	1	230 V maintenance kit	N/A

Assembly 4: Operator panels

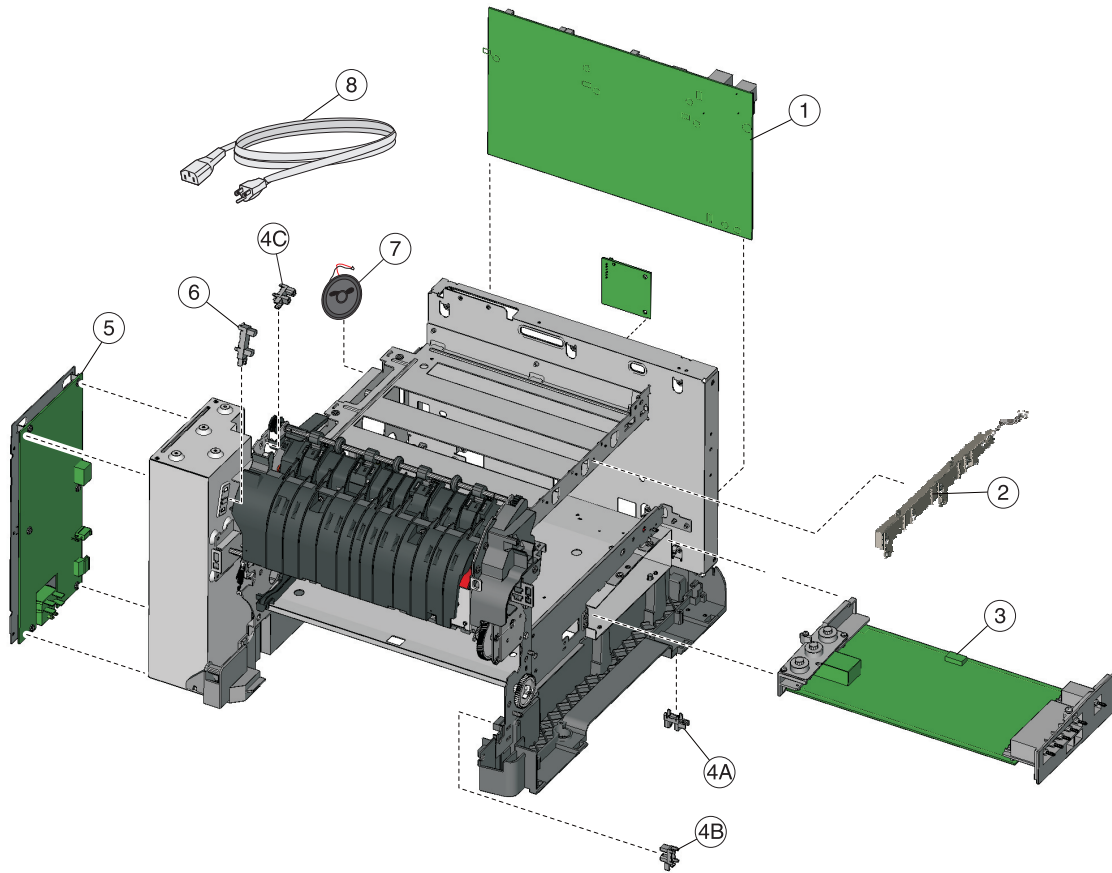


Assembly 4: Operator panels

Asm-index	P/N	Units/mach	Units/FRU	Description	Removal procedure
1	40X7835	1	1	UICC to controller board cable (CX310, CX410)	N/A
1	40X7837	1	1	UICC to controller board cable (CX510)	N/A
2	40X7836	1	1	USB cable (CX410)	“Operator panel removal (for CX310 and CX410 models only)” on page 283
2	40X5480	1	1	USB cable (CX510)	“Operator panel removal (for CX510 models only)” on page 289
3	40X7818	1	1	Bezel (CX510)	“Operator panel bezel removal” on page 282
3	40X8709	1	1	Bezel (XC2132)	“Operator panel bezel removal” on page 282
4	40X7807	1	1	Operator panel assembly (CX310)	“Operator panel removal (for CX310 and CX410 models only)” on page 283
4	40X7800	1	1	Operator panel assembly (CX410)	“Operator panel removal (for CX310 and CX410 models only)” on page 283
4	40X7815	1	1	Operator panel assembly (CX510)	“Operator panel removal (for CX510 models only)” on page 289
5	40X9130	1	1	PCBA MFP UICC (CX510)	“Operator panel removal (for CX510 models only)” on page 289
6	40X9115	1	1	Interface card (CX510)	“Operator panel removal (for CX510 models only)” on page 289
7	40X7828	1	1	Cable (interface card to UICC)	“Operator panel removal (for CX310 and CX410 models only)” on page 283, “Operator panel removal (for CX510 models only)” on page 289

Asm-index	P/N	Units/mach	Units/FRU	Description	Removal procedure
8	40X7861	1	1	Display (CX510)	“Operator panel removal (for CX510 models only)” on page 289
9	40X7838	1	1	Upper front cover (CX510)	“Operator panel removal (for CX510 models only)” on page 289
9	40X7839	1	1	Upper front cover (CX310, CX410)	“Operator panel removal (for CX310 and CX410 models only)” on page 283
10	40X7808	1	1	Front logo cover (CX310, CX410)	“Operator panel logo plate removal” on page 282
10	40X7816	1	1	Front logo cover (CX510)	“Operator panel logo plate removal” on page 282
11	40X7840	1	1	User interface support bracket (CX310, CX410)	“Operator panel removal (for CX310 and CX410 models only)” on page 283
11	40X7841	1	1	User interface support bracket (CX510)	“Operator panel removal (for CX510 models only)” on page 289
12	40X9114	1	1	PCBA (CX410)	“Operator panel removal (for CX310 and CX410 models only)” on page 283
13	40X7116	1	1	Display (CX410)	“Operator panel removal (for CX310 and CX410 models only)” on page 283
14	40X7803	1	1	Operator panel bezel (CX410)	“Operator panel bezel removal” on page 282
14	40X7817	1	1	Operator panel bezel (CX310)	“Operator panel bezel removal” on page 282
15	40X7821	1	1	Display and PCBA (CX310)	“Operator panel removal (for CX310 and CX410 models only)” on page 283
NS	40X6517	1	1	Speaker	“Speaker removal” on page 294

Assembly 5: Electronics

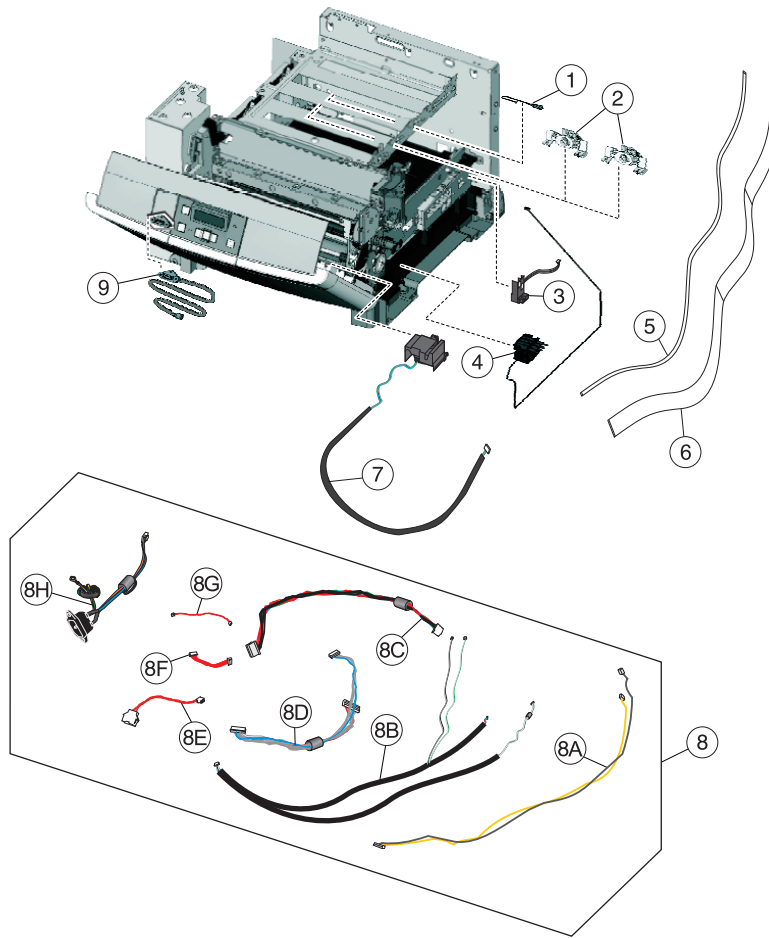


Assembly 5: Electronics

Asm-index	P/N	Units/mach	Units/FRU	Description	Re pro
1	40X7804	1	1	Controller board, CX310	"Co bo: ren pa
1	40X7805	1	1	Controller board, CX410	"Co bo: ren pa
1	40X7806	1	1	Controller board, CX510	"Co bo: ren pa
2	40X7620	1	1	Toner meter cycle card assembly	"To cyc car ren pa
3	40X7625	1	1	High-voltage power supply	"Hi pow (HV ren pa
4	40X7301	3	1	Photo sensor and retainer (one per package), used for: <ul style="list-style-type: none"> • Tray present sensor (4A) • Duplex sensor (4B) • Narrow media sensor (4C) 	"Tr sen ren pa "D sen ren pa "N me ren pa
5	40X7626	1	1	Low-voltage power supply (universal power supply)	"Lo pow (LV ass ren pa
6	40X5413	1	1	Fuser exit sensor	"Fu sen ren pa

Asm-index	P/N	Units/mach	Units/FRU	Description	Re pro
7	40X6517	1	1	Speaker	"Sp ren pag
8	40X1766	1	1	Power cord, 2.5 m (straight): Bolivia, Peru	N/A
8	40X0269	1	1	Power cord, 2.5 m (straight): USA, Canada, APG, LAD	N/A
8	40X0288	1	1	Power cord, 2.5 m (straight): Argentina	N/A
8	40X0301	1	1	Power cord, 2.5 m (straight): Australia	N/A
8	40X4596	1	1	Power cord, 2.5 m (straight): Brazil	N/A
8	40X0273	1	1	Power cord, 2.5 m (straight): Chile, Uruguay, Italy	N/A
8	40X1774	1	1	Power cord, 2.5 m (straight): Denmark	N/A
8	40X0275	1	1	Power cord, 2.5 m (straight): Israel	N/A
8	40X3609	1	1	Power cord, 2.5 m (straight): Japan	N/A
8	40X1792	1	1	Power cord, 2.5 m (straight): Korea	N/A
8	40X3141	1	1	Power cord, 2.5 m (straight): Paraguay, Europe, Middle East, Indonesia, Africa (HV)	N/A
8	40X0303	1	1	Power cord, 2.5 m (straight): PRC	N/A
8	40X1773	1	1	Power cord, 2.5 m (straight): South Africa	N/A
8	40X1772	1	1	Power cord, 2.5 m (straight): Switzerland	N/A
8	40X1791	1	1	Power cord, 2.5 m (straight): Taiwan	N/A
8	40X0271	1	1	Power cord, 2.5 m (straight): United Kingdom	N/A
8	40X7229	1	1	Power cord, 2.5 m (straight): India	N/A
NS	40X7852	1	1	Fax card	N/A
NS	40X8448	1	1	Fax interface cable	N/A
NS	40X7813	1	1	AIO cables <ul style="list-style-type: none"> • Redrive jam or bin full sensor cable • 770 mm ground cable • Speaker cable 	N/A

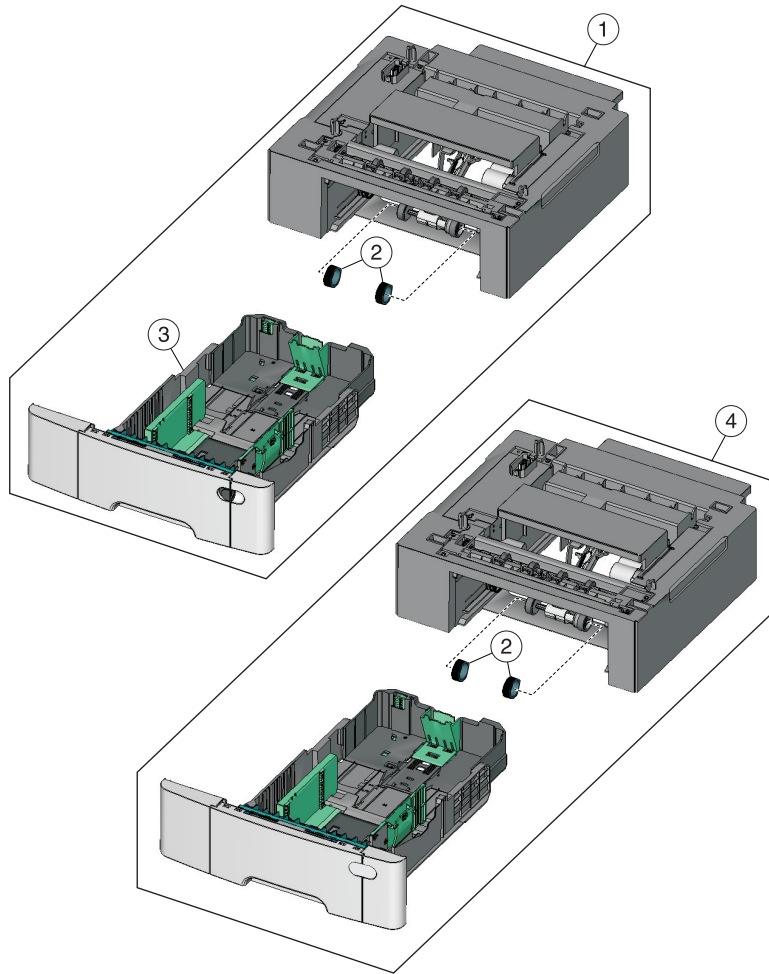
Assembly 6: Cables and sensors



Assembly 6: Cables and sensors

Asm-index	P/N	Units/mach	Units/FRU	Description	Removal procedure
1	40X5429	1	1	Transfer module paper path thermistor	N/A
2	40X5414	2	1	Toner density sensors, left or right (one in package)	N/A
3	40X7046	1	1	Waste toner bottle sensor	N/A
4	40X7636	4	1	Toner cartridge contacts (Pogo pin)	N/A
5	40X7835	1	1	UICC to controller board cable (CX310, CX410)	N/A
5	40X7837	1	1	UICC to controller board cable (CX510)	N/A
6	40X8670	1	1	Printhead-to-controller board cable	N/A
7	40X7618	1	1	Front and right side interlock switch cover assembly	N/A
8	40X7647	1	1	Cable packet, used for: <ul style="list-style-type: none"> • Fuser exit/narrow media to controller board (8A) • Fuser motor, thermistor, and duplex sensor to controller board (8B) • LVPS to controller board (8C) • CMY/K motors to controller board (8D) • Tray 2 to controller board (8E) • HVPS to controller board (8F) • Tray present sensor to controller board (8G) • AC power to LVPS (8H) • Speaker cable (NS) 	N/A
9	40X7836	1	1	Operator panel USB cable	N/A

Assembly 7: Media drawers and trays



Assembly 7: Media drawers and trays

Asm-index	P/N	Units/mach	Units/FRU	Description	Removal procedure
1	40X8089	1	0	Optional 650-sheet duo drawer (complete) - (includes 100-sheet MPF)	"650-sheet duo drawer assembly removal" on page 307
2	40X5168	2	2	Pick tires	"Pick tires removal" on page 309
3	40X8091	1	1	650-sheet Duo Drawer tray assembly	"650-sheet duo drawer tray assembly removal" on page 307
4	40X8090	1	1	Optional 550-sheet drawer (complete) - CX410 and CX510 only	N/A

Assembly 8: Options and miscellaneous


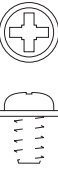

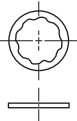
Asm-index	P/N	Units/opt	Units/FRU	Description	Removal procedure
NS	40X7615	1	1	115 V Maintenance kit (fuser, transfer module)	N/A
NS	40X7616	1	1	230 V Maintenance kit (fuser, transfer module)	N/A
NS	40X7617	1	1	100 V Maintenance kit (fuser, transfer module)	N/A
NS	40X8555	1	1	256MB DDR DRAM DIMM card assembly	N/A
NS	40X8568	1	1	Korean font card assembly	N/A
NS	40X8557	1	1	Simplified Chinese font card assembly	N/A
NS	40X8556	1	1	Traditional Chinese font card assembly	N/A
NS	40X8569	1	1	Japanese font card assembly	N/A
NS	40X8570	1	1	Arabic font card assembly	N/A
NS	40X8571	1	1	Hebrew font card assembly	N/A
NS	40X8659	1	1	CX310 Forms and Bar Code Card	N/A
NS	40X8660	1	1	CX410 Forms and Bar Code Card	N/A
NS	40X8664	1	1	CX510 Forms and Bar Code Card	N/A
NS	40X8666	1	1	CX310 Card for PRESCRIBE	N/A
NS	40X8667	1	1	CX410 Card for PRESCRIBE	N/A
NS	40X8668	1	1	CX510 Card for PRESCRIBE	N/A
NS	40X8668	1	1	CX510 Card for PRESCRIBE	N/A
N/A	40X1368	1	1	USB Cable, packaged (2 m)	N/A
NS	3049485	1	1	Field relocation package assembly	N/A
NS	40X7060	1	1	MarkNet N8352 802.11b/g/n Wireless print server (external)	N/A
NS	40X7445	1	1	2GB x 32 DDR3 RAM	N/A
NS	40X7567	1	1	1GB x 32 DDR3 RAM	N/A
NS	40X7857	1	1	160+ GB hard disk	N/A

Screw and retainer identification table

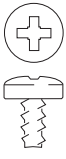

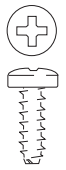
The following table contains screw and fastener descriptions, locations, and quantities necessary to service the printer. Pay careful attention to each screw type location when performing a removal. You must install the correct screw type in each location during reassembly.

The size of the screws and fasteners are as close to their actual size as possible, as long as the printout is not scaled or resized.

Screw and retainer identification table

P/N	Screw type	Location	Qty
18B0832 	Taptite M3 L6 panhead screw	Controller board	6
		EP drive	6
		Fuser drive assembly	2
		Fuser sensor	1
		Left cover	1
		Lower left frame	4
		LVPS assembly	6
		LVPS cage	4
		Paper pick motor drive assembly	2
		Rear cover	8
		Toner density sensor	4
		Toner meter cycle	2
		Top cover	5
Wireless antenna	1		
18B1236 	M3x6 panhead screw	Lower right frame	1
3000114 	Shoulder screw	Paper pick motor drive assembly	1
3000167 	M3.5 internal lock washer	Fuser assembly	1
		Top cover	1

3001435	M3x8 screw	Lower right frame	1
3003334	3.5x6 mm flat top screw	CX410 display bracket	3
		CX510 UICC card	5
3005980	3.5x8 mm flat top screw	Front door	5
3068020	Taptite M3 L4.5 Panhead screw	Lower right frame	3
88A0154	M3x8LG W-HD MCH screw	Printhead	3
88A0481	M3.5x8 SEMS MACH screw	Fuser assembly	1
		Top cover	1
88A0213	Metal ROLN m3.5 8L screw	Lower left frame ground cable	1
88A0313	Plastic ROLN 2.9 8L screw	Toner cartridge contacts	1
		CX410 UICC card	5

<p>88A0322</p> 	<p>Plastic ROLN 3.5 6L screw</p>	<p>AC receptacle 2</p> <p>Cable cover 5</p> <p>CX510 Display support bracket 4</p> <p>Duplex aligner 4</p> <p>Duplex reference edge 3</p> <p>Front door 4</p> <p>CX410 and CX510 Front USB connector 2</p> <p>HVPS 1</p> <p>Left cover 3</p> <p>Lower left frame 1</p> <p>Operator panel 4</p> <p>CX510 Operator panel back cover 3</p> <p>CX510 speaker 2</p> <p>Toner meter cycle 2</p> <p>Toner supply door 1</p> <p>Top cover 4</p> <p>Waste toner bottle contact 1</p>	
<p>88A0323</p> 	<p>Plastic ROLN 3.5 8L screw</p>	<p>AC receptacle 2</p> <p>Duplex aligner 2</p>	
<p>88A0324</p> 	<p>Plastic ROLN 3.5 10L screw</p>	<p>Duplex aligner 2</p>	

Appendix A: Printer specifications

- “Power specifications” on page 351
- “Electrical specifications” on page 351
- “Operating clearances for CX310 models” on page 352
- “Operating clearances for CX410 and CX510 models” on page 353
- “Acoustics” on page 353
- “Environment” on page 354
- “Processor” on page 354

Power specifications

The average nominal power requirements for the base printer configuration are shown in the following table (power levels are shown in watts):

Note: Some modes may not apply to all models.

Printing states	Power
Off	0.0W
Sleep Mode	7W
Hibernate Mode	1W
Standby Mode	50W
Ready Mode	40W
Simplex printing	500W
Duplex printing	550W

Maximum current shown in amp ergs.

Notes:

- Using a power converter or inverter is not recommended.
- The CX310, CX410, and CX510 models are ENERGY STAR Qualified.
- All models ship with Sleep Mode set to On.

Electrical specifications

Low-voltage models

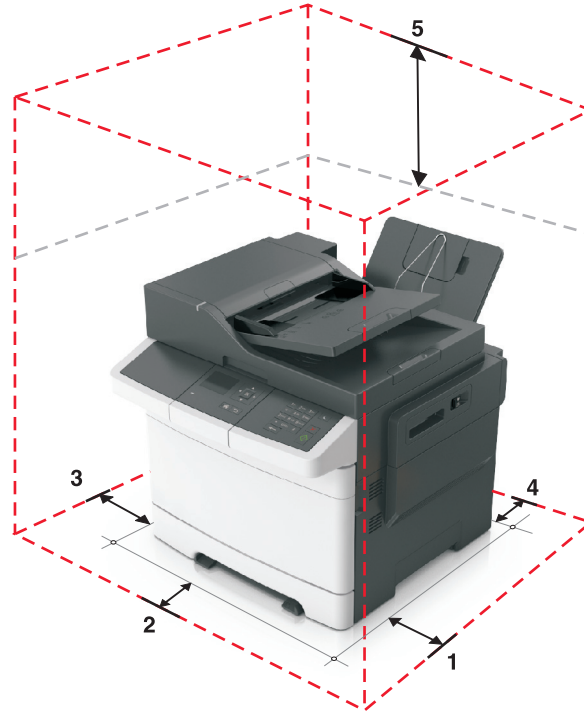
- 100 to 127 V ac at 50 to 60 hertz (Hz) nominal
- 90 to 137 V ac, extreme

High-voltage models

- 220 to 240 V ac at 50 to 60 hertz (Hz) nominal (not available in all countries and regions)

Operating clearances for CX310 models

Note: Allow additional clearance around the printer for adding options, such as additional input trays.



Operating clearances for CX310 models

1	Right side	152 mm (6 in.)
2	Front	508 mm (20 in.)
3	Left side	76 mm (3 in.)
4	Rear	102 mm (4 in.)
5	Top	254 mm (10 in.)

Operating clearances for CX410 and CX510 models

Note: Allow additional clearance around the printer for adding options, such as additional input trays.



Operating clearances for CX410 and CX510 models

1	Right side	305 mm (12 in.)
2	Front	508 mm (20 in.)
3	Left side	76 mm (3 in.)
4	Rear	101.02 mm (4 in.)
5	Top	762 mm (30 in.)

Acoustics

All measurements are made in accordance with ISO 7779 and conform with ISO 9296.

Note: Some modes may not apply to all models.

Acoustic measurements for CX310 models

Status	1-meter average sound pressure dBA
Printing	48 dBA
Ready	Inaudible

Acoustic measurements for CX410 and CX510 models

Status	1-meter average sound pressure dBA
Printing	50 dBA
Ready	Inaudible

Note: Values are subject to chance. See <http://support.lexmark.com> for current values.

Environment

Printer Temperature and Humidity

- Operating
 - Temperature: 60 to 90° F (15.6 to 32.2° C)
 - Relative humidity: 8 to 80%
 - Maximum wet bulb temperature: 73° F (22.8° C)
 - Altitude: 10,000 ft. (0 to 3,048 meters)
 - Atmospheric pressure: 74.6 kPa
- Power off
 - Temperature: 50 to 110° F (10 to 43.3° C)
 - Relative humidity: 8 to 80%
 - Maximum wet bulb temperature: 80.1° F (26.7° C)
 - Altitude: 10,000 ft. (0 to 3,048 meters)
 - Atmospheric pressure: 74.6 kPa
- Ambient operating environment*
 - Temperature: 60 to 90° F (15.6 to 32.2° C)
 - Relative humidity: 8 to 80%
- Storage and shipping (packaged printer) with or without print cartridge
 - Temperature: -40 to 110° F (-40 to 43.3° C)

*In some cases, performance specifications (such as paper OCF, EP cartridge usage) are measured at an ambient condition.

Processor

1.2 GHZ Power PC processor

Appendix B: Options and features

- **“Available internal options” on page 355**
- **“Media handling options” on page 355**
- **“Option configurations” on page 356**

Lexmark CX310, CX410, and CX510 support only Lexmark CX310, CX410, and CX510 paper-handling options. These options are not compatible with any other Lexmark printer. Some of the following options are not available in every country or region.

Available internal options

- Memory cards
 - Printer memory
 - Flash memory
 - Fonts
- Firmware cards
 - Bar Code
 - PrintCryption™
- Printer hard disk
- Lexmark™ Internal Solutions Ports (ISP)
 - RS-232-C Serial ISP
 - Parallel 1284-B ISP
 - MarkNet™ N8250 802.11 b/g/n Wireless ISP
 - MarkNet N8130 10/100 Fiber ISP
 - MarkNet N8120 10/100/1000 Ethernet ISP

Media handling options

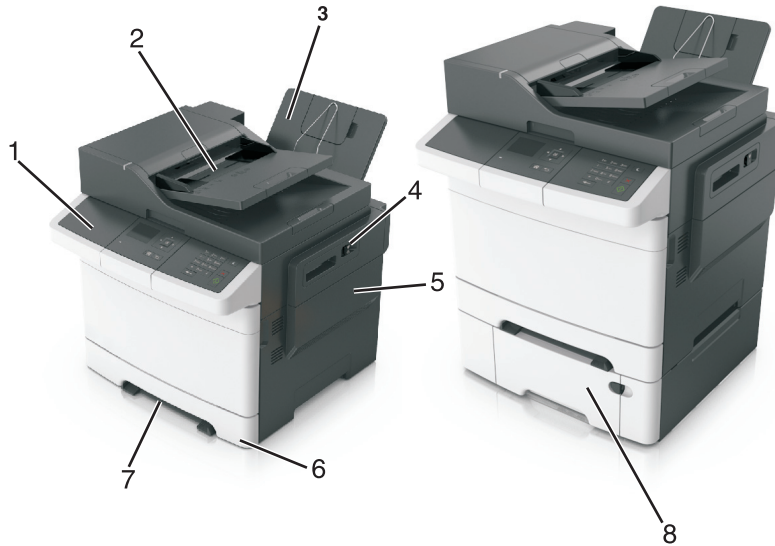
Note: Some media handling options may not be available for all models.

Input options:

- Standard integrated 250-sheet tray (Tray 1)
- Standard 100-sheet multipurpose feeder
- Standard 1-sheet manual feed slot
- Optional 550-sheet tray (CX410 and CX510 models only)

Output options

- Standard 100-sheet sensing bin
- Optional 650-sheet duo tray with integrated multipurpose feeder (Tray 2)



Output options

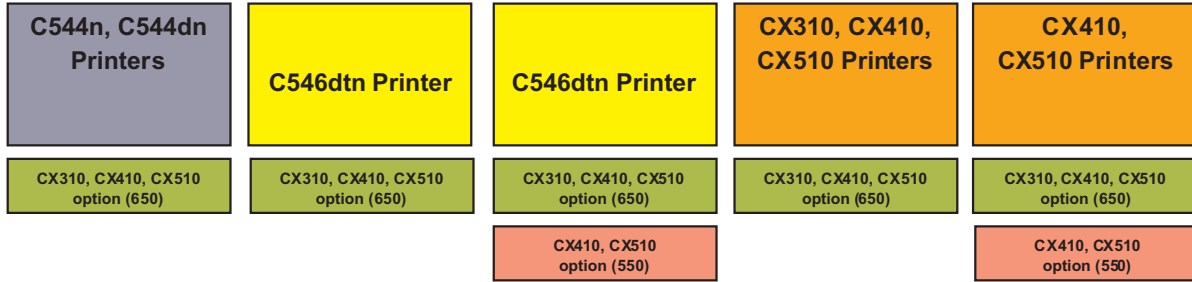
1	Printer control panel
2	Automatic document feeder (ADF)
3	Standard bin
4	Top door latch
5	Right side cover
6	Standard 250-sheet tray (Tray 1)
7	Manual feeder
8	Optional 650-sheet duo tray with integrated multipurpose feeder (Tray 2)

Option configurations

The CX310, CX410, and CX510 optional drawers can be configured to run in a stacked configuration. Unlike the C544n and C544dn printers, the CX310, CX410, and CX510 printers support a maximum of two stacked optional drawers—one 650 DuoDrawer at tray 2, and an additional 550 drawer at tray 3. The CX310, CX410, and CX510 DuoDrawers are also designed to be downward compatible with the C544n and C544dn printers. Because the C544n and C544dn 650 DuoDrawer, and the CX310, CX410, and CX510 650 DuoDrawer and 550 drawer share the same autoconnect features, there are several ways in which the drawers can be stacked together. The following describes three types of option configurations.

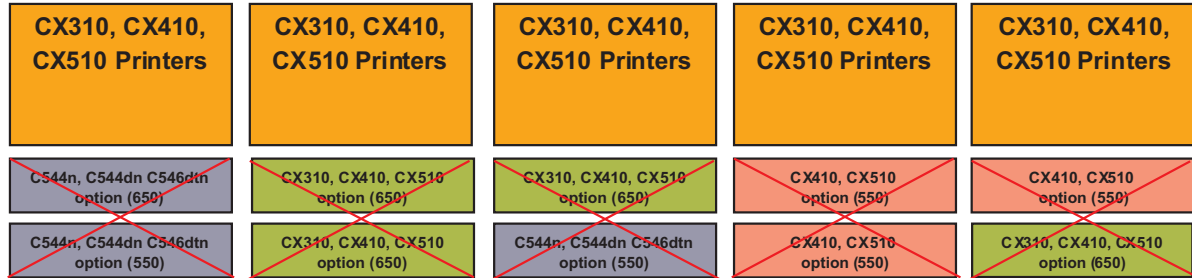
Supported configurations

These configurations are valid and supported. The options are designed and tested according to these types of configurations.



Unsupported configurations

These configurations are invalid and would result to an **Invalid Input Config** error on a CX310, CX410, or CX510 printer, or **Too Many Trays Attached** error on a C544n or C544dn printer.



Unclaimed configuration

This configuration is not supported and unclaimed, though the printer may not declare an error. This configuration is functional but is not a valid configuration.

Warning—Potential Damage: The engine code and the options are not designed and tested thoroughly on this configuration. This could result to unpredictable printer operation.

